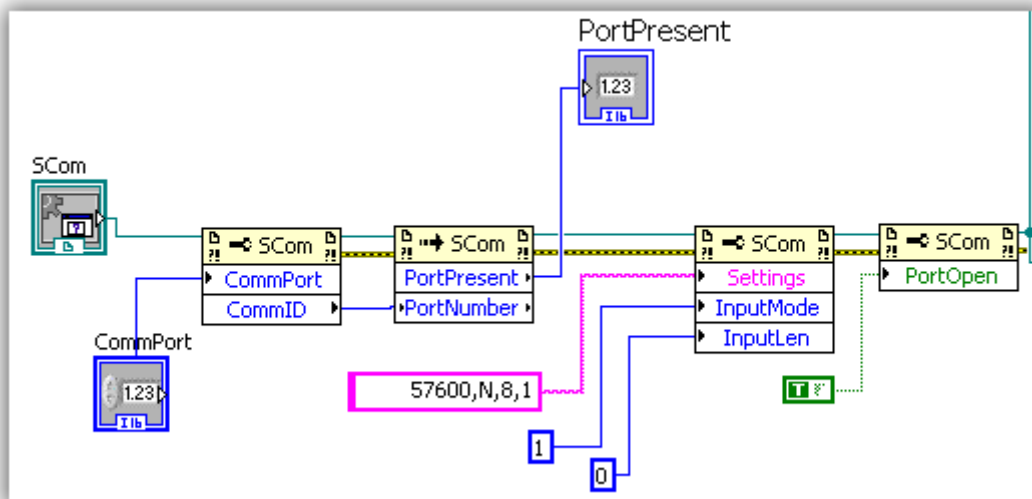


# SuperCom

## LabVIEW Samples



## SuperCom LabVIEW samples

This document presents some of the LabVIEW samples available with SuperCom.

As with other languages and IDE, SuperCom offers two main API to use with LabVIEW: that is the DLL API and the ActiveX API.

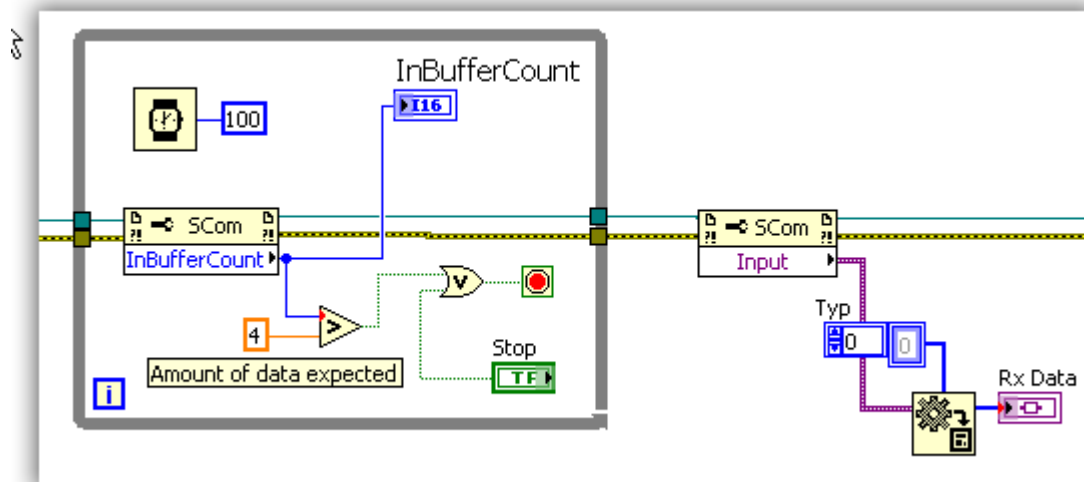
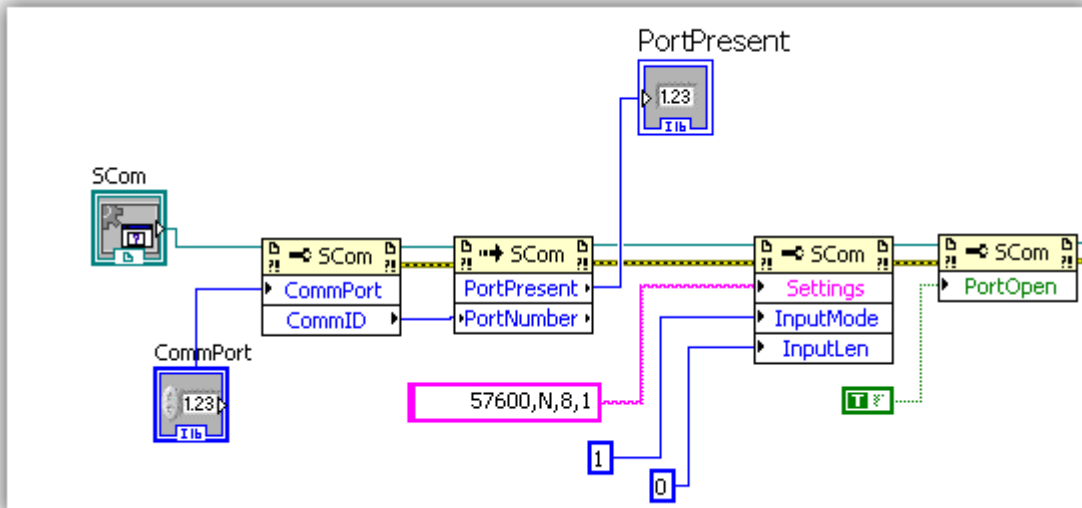
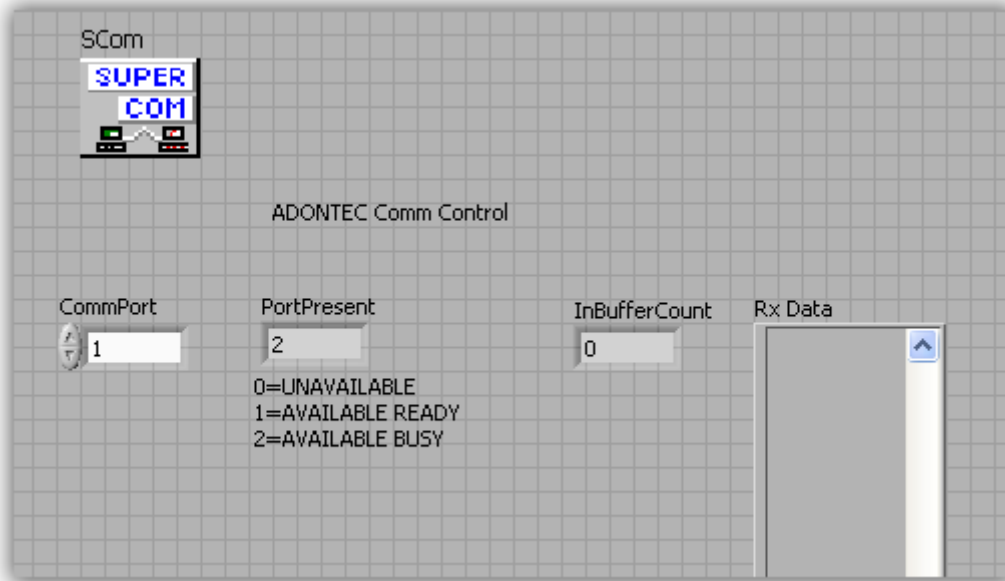
The samples presented here are using any of the SuperCom API or even combine both.

The samples show how to perform data transfer, file transfer and data communication to PLC using industrial protocol as 3964, RK512 and MODBUS.

Each SuperCom software package (license) contains it's specifics samples.




# Using ActiveX for serial communications



# Using ActiveX to transmit file

**SuperCom ActiveX - LabVIEW sample**

Sample transmitting file



ADONTEC Comm Control

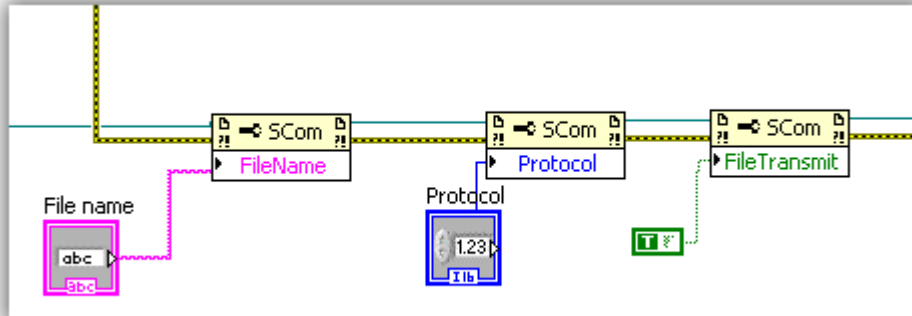
CommPort: 1

PortPresent: 0  
0=UNAVAILABLE  
1=AVAILABLE READY  
2=AVAILABLE BUSY

File name: c:\test.txt

Protocol: 0  
0)ASCII  
1)XMODEM  
2)XMODEM CRC  
3)XMODEM1K  
3)YMODEM  
4) YMODEM BATCH  
5) ZMODEM

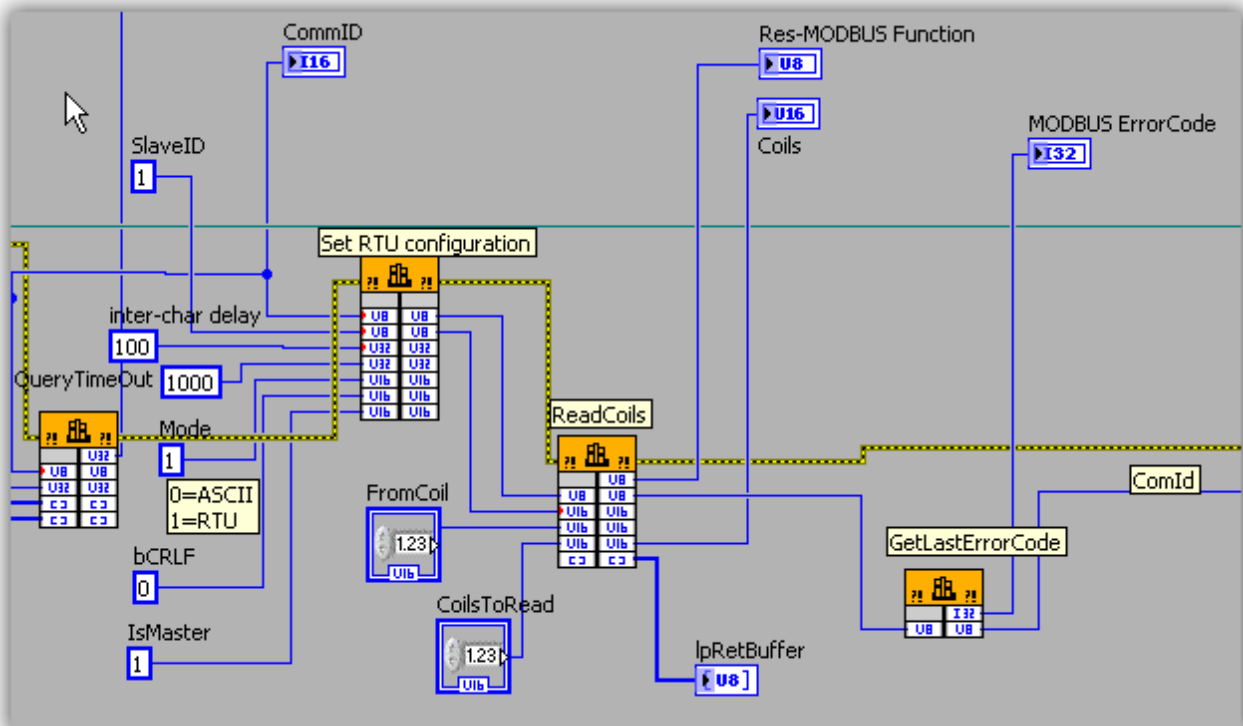
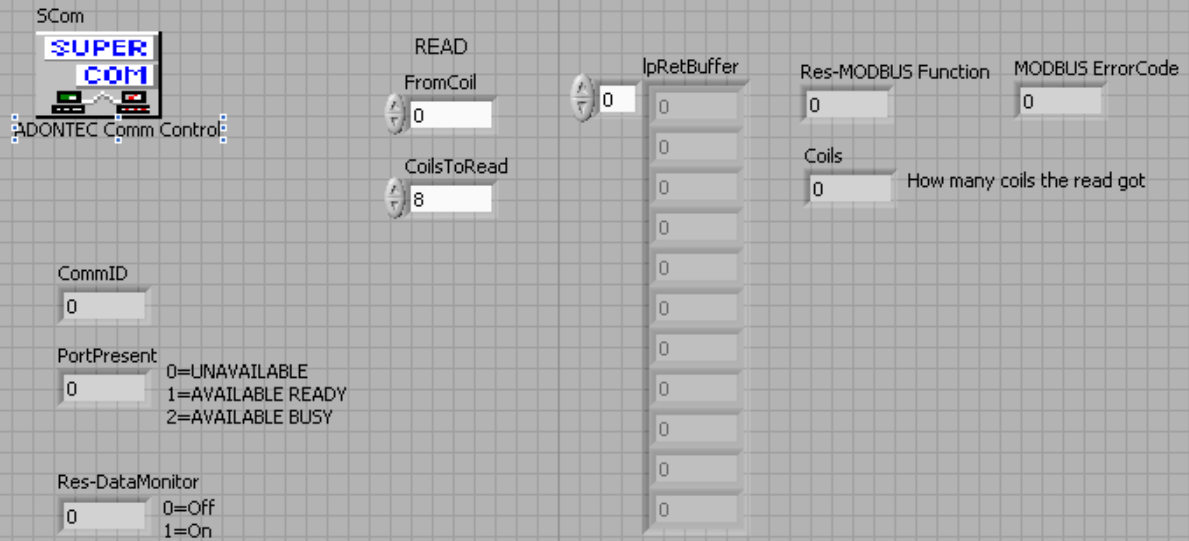
When the program ends without closing the port e.g. PortOpen=FALSE, LabVIEW will see, the



# Using ActiveX and MODBUS protocol

## SuperCom ActiveX & DLL API LabVIEW sample, calling MODBUS

1. Call RS\_MBSetConfig, RS\_MBReadCoils
2. Parameter MODBUS 9600, N, 8, 1
3. Data monitoring



# SuperCom ActiveX and 3964 / RK512 protocol

