

Digi RealPort® Technology

Feature Spec

The industry's first and only patented COM port redirector

Overview

Digi's patented RealPort software allows companies to easily network-enable serial devices without spending valuable time and money to re-write existing application programs.

About RealPort

Many of today's key business applications were written to talk to serial devices that are directly connected to servers. To better serve their customers, businesses have found it necessary to locate serial devices in places that are not always close to servers or PCs.

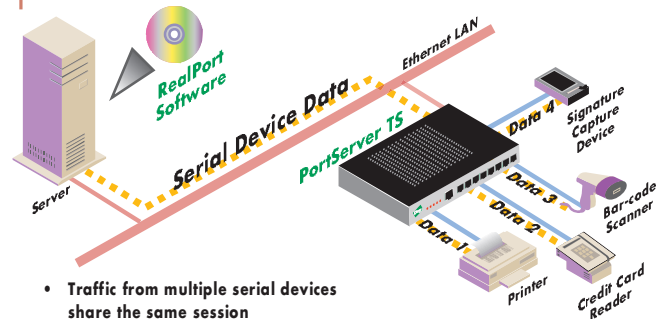
Digi's RealPort software leverages the now-ubiquitous TCP/IP network infrastructure to provide a virtual connection to serial devices. The software is installed directly on the server and allows applications to talk to devices across a network as though the devices were directly attached to the server. In actuality, the devices are connected to a Digi device server or terminal server somewhere on the network.

RealPort software is unique among COM port redirectors. It is the only implementation that allows multiple connections to multiple ports over a single TCP/IP connection. This means RealPort supports the maximum number of remote devices — the number is restricted only by the operating system and server processing power. Other implementations on the market require a separate TCP/IP connection for each serial port, resulting in higher network overhead and more processing demands on the server (see diagram).

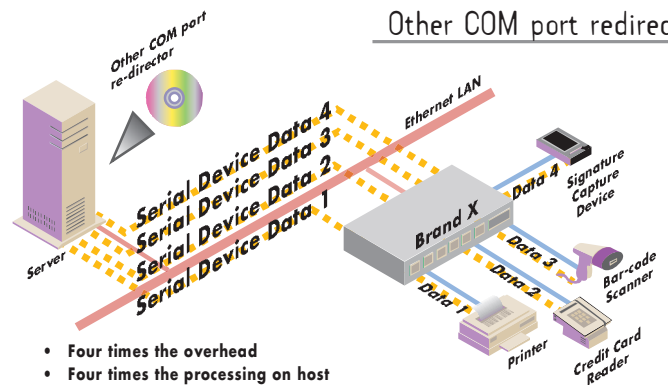
Other unique features include full hardware and software flow control, as well as tunable latency and throughput. With these, RealPort ensures optimum performance since data transfer is adjusted according to specific application requirements. It also provides connection recovery — after a network interruption RealPort automatically reconnects the device to the COM port without the application knowing there was a failure. Finally, RealPort offers comprehensive operating system support including Microsoft Windows Server 2003, XP, 2000, NT, 98, Me; SCO Open Server and UnixWare; Linux; AIX; True 64; Sun Solaris SPARC and Intel; HP-UX; and NCR UNIX MP-R AS.

RealPort comes standard with all of Digi's device servers and terminal servers.

RealPort solution



Other COM port redirector



Features/Benefits

- | | |
|---|---|
| Allows multiple connections to multiple COM ports over a single TCP/IP connection | • Significantly reduces overhead compared to other COM port redirectors |
| Supports more devices per server than any other COM port redirector | • Provides up to 4096 COM ports with Microsoft Windows and up to 65,000 TTY devices with UNIX*
<small>* limited only by OS and server processing power</small> |
| Comprehensive OS support | • Compatible with virtually any program |
| Hardware and software flow control | • Prevents data loss |
| Tunable latency and throughput | • Ensures optimum application performance |
| Connection recovery | • Provides fault tolerance for network failures |



Making
DEVICE NETWORKING
easy™

www.digi.com

© 2004-2005 Digi International Inc.

Digi, Digi International, the Digi logo, the Making Device Networking Easy logo and RealPort are trademarks or registered trademarks of Digi International, Inc. in the United States and other countries worldwide. All other trademarks are the property of their respective owners.

91001234
A2/305

ADONTEC®

<http://www.adontec.com>